

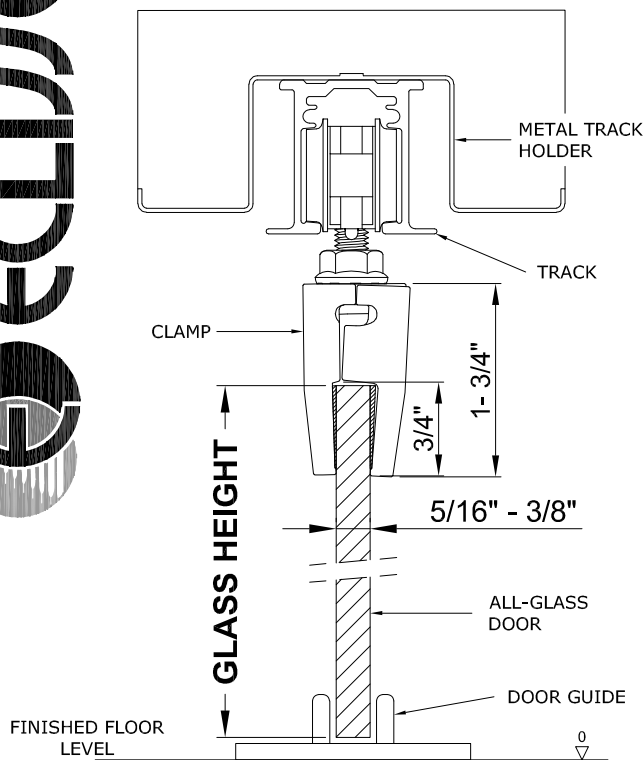
CLAMPS FOR ALL-GLASS SLIDING DOOR

Eclisse **SINGLE/DOUBLE**

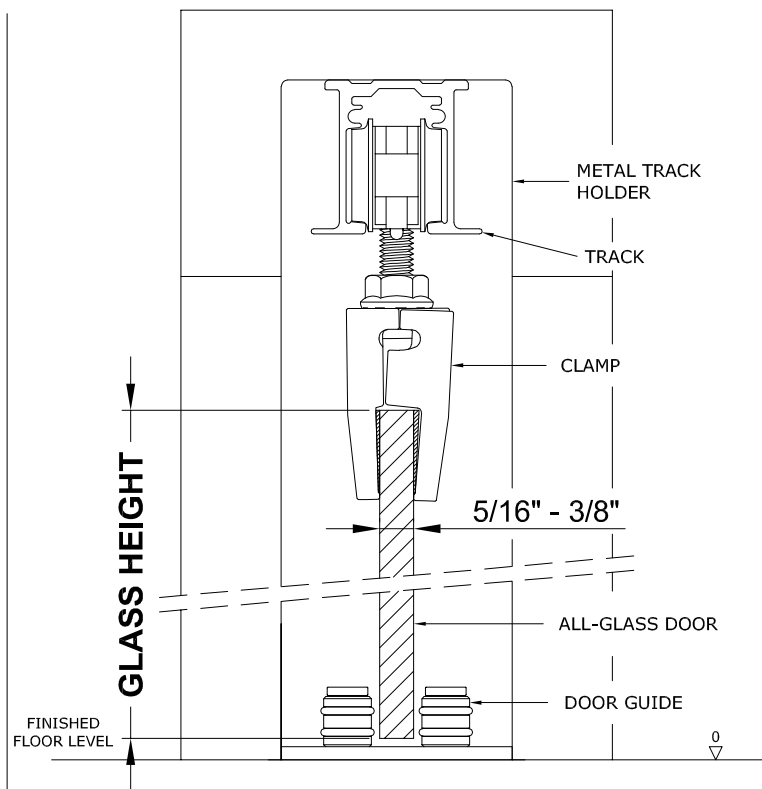
Eclisse **SYNTESIS® LINE**



HOW TO DETERMINE THE HEIGHT OF AN ALL-GLASS DOOR



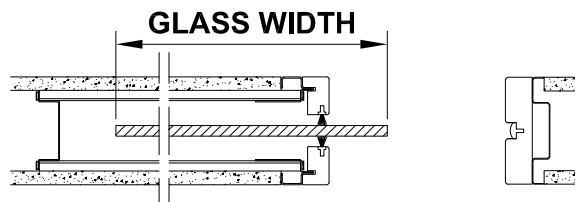
GLASS HEIGHT = DH - 3/8"



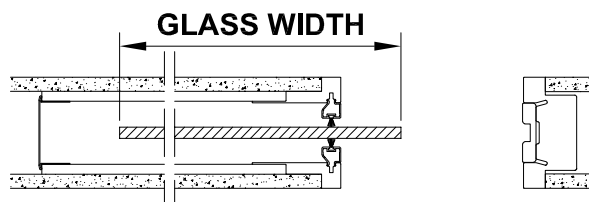
GLASS HEIGHT = DH - 1-1/8"

"DH" is the height of the wooden door.

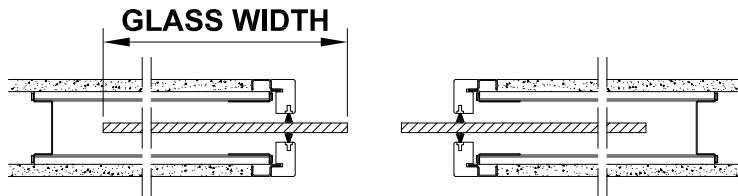
HOW TO DETERMINE THE WIDTH OF AN ALL-GLASS DOOR



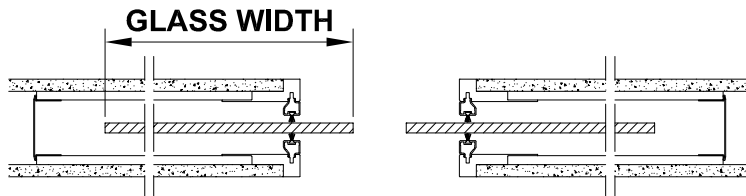
SINGLE DOOR = DW



SINGLE DOOR = DW



DOUBLE DOOR = DW



DOUBLE DOOR = DW

"DW" is the width of the wooden door.

POSITIONING THE CLAMPS

SINGLE DOOR

DOUBLE DOOR

